

DRN-PS-750

Compact DIN-Rail 21.5 Volt Regulated Power Supplies

Operator's Manual



Additional products from



NEWPORT Electronics, Inc.

Counters	Rate Meters
Frequency Meters	Timers
PID Controllers	Totalizers
Clock/Timers	Strain Gauge Meters
Printers	Voltmeters
Process Meters	Multimeters
On/Off Controllers	Soldering Iron Testers
Recorders	pH pens
Relative Humidity	pH Controllers
Transmitters	pH Electrodes
Thermocouples	RTDs
Thermistors	Thermowells
Wire	Flow Sensors

For Immediate Assistance
In the U.S.A. and Canada: 1-800-NEWPORTSM
In Mexico: (95) 800-NEWPORTSM
Or call your local NEWPORT Office.

NEWPORTnetSM On-Line Service
<http://www.newportinc.com>

Internet e-mail
info@newportinc.com

It is the policy of NEWPORT to comply with all worldwide safety and EMC/EMI regulations that apply. NEWPORT is constantly pursuing certification of its products to the European New Approach Directives. NEWPORT will add the CE mark to every appropriate device upon certification.

The information contained in this document is believed to be correct but NEWPORT Electronics, Inc. accepts no liability for any errors it contains, and reserves the right to alter specifications without notice.

WARNING: These products are not designed for use in, and should not be used for, patient connected applications.



This device is marked with the international hazard symbol. It is important to read the Setup Guide before installing or commissioning this device as it contains important information relating to safety and EMC.



1.	General Information and Features	2
2.	Applicable Standards	3
3.	Installation and Removal	4
4.	Input and Output Connections	8
5.	Specifications	9
	5.1 PS Type Labeling	
	5.2 Size & Weight	
	5.3 Mounting	
	5.4 Temperature Ranges	
	5.5 Input Range	
	5.6 Input Current Surge Protection	
	5.7 Output Voltage	
	5.8 Output Current	
	5.9 Output Ripple	
	5.10 Temperature Derating	
	5.11 Power-on Indicator	
	5.12 Short-circuit and overload protection	
	5.13 Wire Connections	
6.	Derating Graph	12
7.	Block Diagram	12
8.	Dimensions Drawing	13
9.	Safety Considerations	14

The compact DRN power supplies are designed to supply well-regulated 21.5 volt DC power to sensors, signal conditioners, data acquisition systems and high level logic equipment.

A graphic element consisting of a grey downward-pointing triangle with a black horizontal bar across its center. The word "Features" is written in white, bold, italicized sans-serif font within the black bar.**Features**

Significant DRN features include:

- 4kV tested isolation, primary to output
- VDE-style patented shrouded double-bobbin design
- PET polyester bobbins, UL 94VO flammability rating
- Glass-filled polycarbonate case, UL 94VO
- Recessed live parts and connector screws
- Either 32mm or 35mm DIN rail mounting
- Jumper-select 230V/50Hz or 115V/60Hz input
- Wide input voltage tolerances
- 6kA protective varistor input shunt
- Input AC spike rejection with LC filters
- LED power-on lamp
- Output derating only above 50 degrees C
- Overtemperature protection
- Short circuit protection without fuses
- Low-ripple, well-regulated linear design

2.1 Input Voltage Tolerances

Exceeds IEC 38 range

2.2 Input / Output Isolation

4KV rms 60Hz 1 minute test

630V conductor spacing, IEC 348

Exceeds VDE551 / IEC 742 separation spacing

Exceeds VDE106 protective separation

Exceeds VDE 160 clearance distances

Exceeds VDE160 creepage distances

2.3 Protective Classes

IEC 529: IP-20

VDE 106 Part 1: Class II

2.4 Flammability Ratings

Transformer: UL 94VO

Case: UL 94VO

**Warning!**

The DRN power supplies are heavy enough to cause damage and or injury if dropped during installation. Assure firm rail mounting before releasing grip on the unit.

If a rail assembly is to be transported, then disconnection, dismounting and separate packing of the power supply is recommended.

For units that must be shipped installed on the rail, additional bracing to resist transportation shocks is recommended.

Do not attempt to install or connect to the power supply when the mains are energized.

To change voltage jumpers:

1. Remove cover from case by carefully prying up two side tabs using a screwdriver. Remove two screws from bottom of case. Slide unit out of case.
2. Locate the main board assembly and position it in front of you the same way as shown in Figure 3.1 on the following page.
3. On the main board, locate the transformer jumpers W1, W2, and W3 near the transformer T1.

**Warning!**

If your power requirement is 115Vac, jumpers W1 and W2 should be installed. (***Do not install W3.***)

If your power requirement is 230Vac, jumper W3 should be installed. (***Do not install W1 or W2.***)

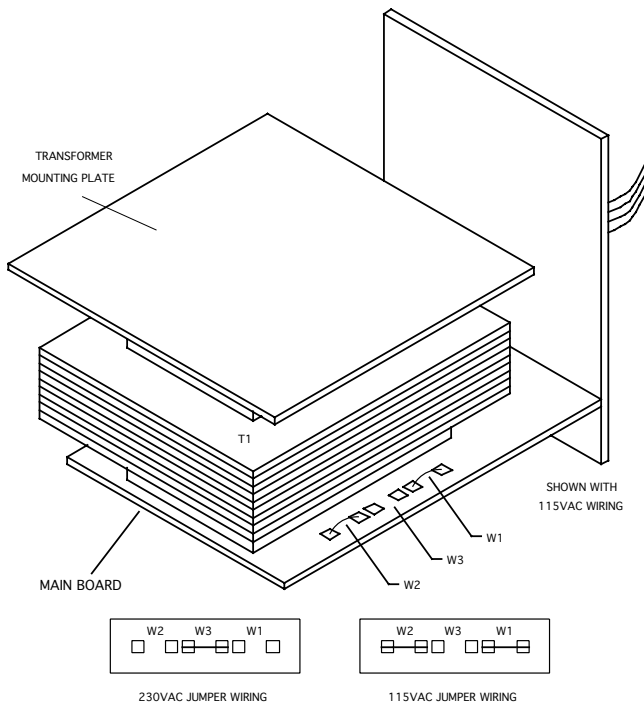


Figure 3.1 — Main Board Power Jumpers

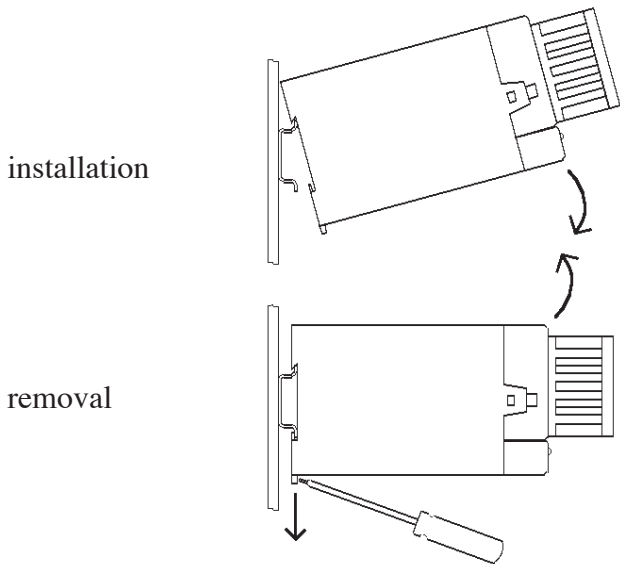


Figure 3.2 — 35mm "Top Hat"

Installation: Hook in the module with the mounting rail guide on the top edge of the mounting rail and lower it to lock it into position.

Removal: Release the spring catch with a screwdriver while raising the module to disengage it.

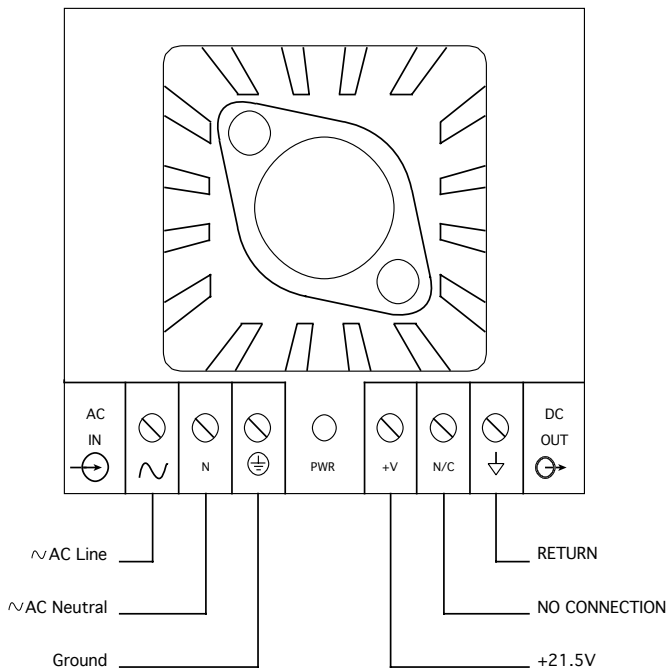


Figure 4.1 — Front Panel Connection Labels shown without regulator cover

5.1 PS Type Labeling

DRN-PS-750, where 750 equals mA rating.

DRN-PS-750

5.2 Size & Weight

Height:	2.76"	(70mm)
Width:	2.95"	(75mm)
Depth:	5.95"	(151mm)
Weight:	2.0 lbs.	(0.9 kg)

5.3 Mounting

35mm "top hat" DIN EN 50022

5.4 Temperature Ranges

Operating Temperature Ranges -20 to 60 degrees C

Storage Temperature Ranges -40 to 95 degrees C

5.5 Input Range

115 or 230V, 49–61Hz

DRN-PS-750 $\pm 10\%$

5.6 Input Current Surge Protection

6kA/275V Varistor

5.7 Output Voltage

21.5V $\pm 2\%$ - IR, where I = output current amperes and R = 0.3 Ω

5.8 Output Current

DRN-PS-750 0–750mA

5.9 Output Ripple

Less than 10mV pp

5.10 Temperature Derating

None below 50 degrees C

DRN-PS-750, 15mA per degree C above 50°C

5.11 Power-on Indicator

Front Panel red LED lamp

5.12 Short-circuit and overload protection

DRN-PS-750 foldback current limiting with automatic high temperature shutdown

no fuses required

5.13 Wire Connections

Screw down wire clamps, AWG 12 to 26 (ferrules recommended for stranded wire).

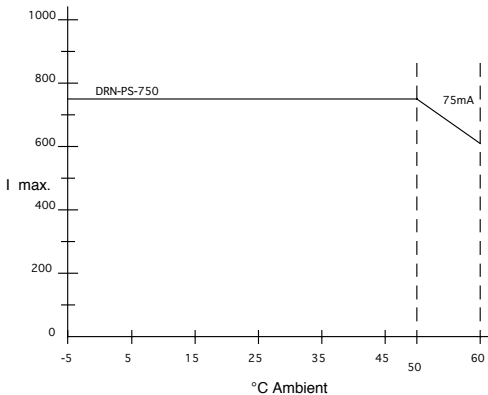


Figure 6.1 – Derating Graph

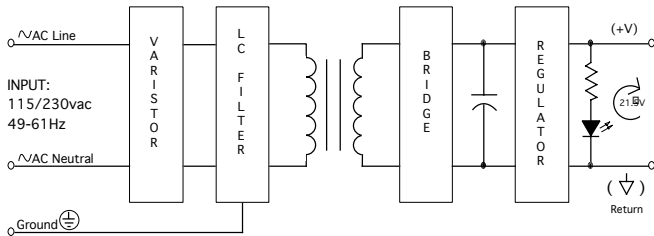


Figure 7.1 – Block Diagram

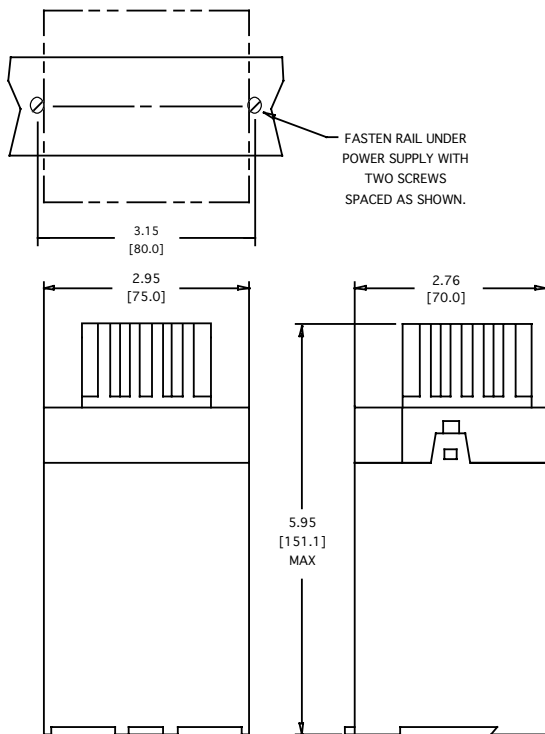


Figure 8.1 — Dimensions



SAFETY CONSIDERATIONS



This device is marked with the international Caution symbol. It is important to read this manual before installing or commissioning this device as it contains important information relating to Safety and EMC (Electromagnetic Compatibility).

Unpacking & Inspection



Note

Unpack the instrument and inspect for obvious shipping damage. Do not attempt to operate the unit if damage is found.

This instrument is a panel mount device protected in accordance with Class I of EN 61010 (115/230 AC power connections). Installation of this instrument should be done by Qualified personnel. In order to ensure safe operation, the following instructions should be followed.

This instrument has no power-on switch. An external switch or circuit-breaker shall be included in the building installation as a disconnecting device. It shall be marked to indicate this function, and it shall be in close proximity to the equipment within easy reach of the operator. The switch or circuit-breaker shall not interrupt the Protective Conductor (Earth wire), and it shall meet the relevant requirements of IEC 947-1 and IEC 947-3 (International Electrotechnical Commission). The switch shall not be incorporated in the mains supply cord.

Furthermore, to provide protection against excessive energy being drawn from the mains supply in case of a fault in the equipment, an overcurrent protection device shall be installed.



- The **Protective Conductor** must be connected for safety reasons. Check that the power cable has the proper Earth wire, and it is properly connected. It is not safe to operate this unit without the Protective Conductor Terminal connected.



Note

- Do not exceed voltage rating on the label located on the top of the instrument housing.
- Always disconnect power before changing signal and power connections.
- Do not use this instrument on a work bench without its case for safety reasons.
- Do not operate this instrument in flammable or explosive atmospheres.
- Do not expose this instrument to rain or moisture.

EMC Considerations

- Whenever EMC is an issue, always use shielded cables.
- Never run signal and power wires in the same conduit.
- Use signal wire connections with twisted-pair cables.
- Install Ferrite Bead(s) on signal wires close to the instrument if EMC problems persist.

For immediate technical or application assistance please call:

1-800-6397678®
1-800-NEWPORT

Newport Electronics, Inc.

2229 South Yale Street • Santa Ana, CA • 92704-4426 • U.S.A.
TEL: (714) 540-4914 • FAX: (714) 546-3022
Toll Free: 1-800-639-7678

Newport Technologies, Inc.

976 Bergar • Laval (Quebec) • H7L 5A1 • Canada
TEL: (514) 335-3183 • FAX: (514) 856-6886
Toll Free: 1-800-639-7678

Newport Electronics, Ltd.

25 Swannington Road • Broughton Astley • Leicestershire • LE9 6TU • England
TEL: 44 (1455) 285998 • FAX: 44 (1455) 285604
P.O. Box 7, Omega Drive • Irlam • Manchester • M44 5EX • England
TEL: 44 (161) 777-6611 • FAX: 44 (161) 777-6622
Toll Free: 0800-488-488

Newport Electronics B.V.

Postbus 8034 • 1180 LA Amstelveen • The Netherlands
TEL: (31) 20 6418405 • FAX: (31) 20 6434643
Toll Free: 06 0993344

Newport Electronics spol s.r.o.

ul. Rude armady 1868 • 733 01 Karvina - Hranice • Czech Republic
TEL: 420 (69) 6311899 • FAX: 420 (69) 6311114

Newport Electronics GmbH

Daimlerstrasse 26 • D-75392 Deckenpfronn • Germany
TEL: 49 (07056) 3017 • FAX: 49 (07056) 8540
Toll Free: 0130 11 21 66

Newport Electronique S.A.R.L.

9, rue Denis Papin • 78190 Trappes • France
TEL: (33) 130-621-400 • FAX: (33) 130-699-120
Toll Free: 0800-4-63978

Mexico and Latin America

TEL: 95-800-639-7678 • FAX: 95-203-359-7807
En Español: (203) 359-7803

NEWPORTnet™ On-Line Service http://www.newportinc.com	Internet e-mail info@newportinc.com
---	--



NEWPORT Electronics, Inc.

Warranty/Disclaimer

NEWPORT ELECTRONICS, INC. warrants this unit to be free of defects in materials and workmanship for a period of one (1) year from date of purchase. In addition to NEWPORT's standard warranty period, NEWPORT ELECTRONICS will extend the warranty period for one (1) additional year if the warranty card enclosed with each instrument is returned to NEWPORT.

If the unit should malfunction, it must be returned to the factory for evaluation. NEWPORT's Customer Service Department will issue an Authorized Return (AR) number immediately upon phone or written request. Upon examination by NEWPORT, if the unit is found to be defective it will be repaired or replaced at no charge. NEWPORT's WARRANTY does not apply to defects resulting from any action of the purchaser, including but not limited to mishandling, improper interfacing, operation outside of design limits, improper repair, or unauthorized modification. This WARRANTY is VOID if the unit shows evidence of having been tampered with or shows evidence of being damaged as a result of excessive corrosion; or current, heat, moisture or vibration; improper specification; misapplication; misuse or other operating conditions outside of NEWPORT's control. Components which wear are not warranted, including but not limited to contact points, fuses, and triacs.

NEWPORT is pleased to offer suggestions on the use of its various products. However, NEWPORT neither assumes responsibility for any omissions or errors nor assumes liability for any damages that result from the use of its products in accordance with information provided by NEWPORT, either verbal or written. NEWPORT warrants only that the parts manufactured by it will be as specified and free of defects. NEWPORT MAKES NO OTHER WARRANTIES OR REPRESENTATIONS OF ANY KIND WHATSOEVER, EXPRESSED OR IMPLIED, EXCEPT THAT OF TITLE, AND ALL IMPLIED WARRANTIES INCLUDING ANY WARRANTY OF MERCHANTABILITY AND FITNESS FOR A PARTICULAR PURPOSE ARE HEREBY DISCLAIMED. LIMITATION OF LIABILITY: The remedies of purchaser set forth herein are exclusive and the total liability of NEWPORT with respect to this order, whether based on contract, warranty, negligence, indemnification, strict liability or otherwise, shall not exceed the purchase price of the component upon which liability is based. In no event shall NEWPORT be liable for consequential, incidental or special damages.

CONDITIONS: Equipment sold by NEWPORT is not intended to be used, nor shall it be used: (1) as a "Basic Component" under 10 CFR 21 (NRC), used in or with any nuclear installation or activity; or (2) in medical applications or used on humans. Should any Product(s) be used in or with any nuclear installation or activity, medical application, used on humans, or misused in any way, NEWPORT assumes no responsibility as set forth in our basic WARRANTY/DISCLAIMER language, and additionally, purchaser will indemnify NEWPORT and hold NEWPORT harmless from any liability or damage whatsoever arising out of the use of the Product(s) in such a manner.

Return Requests/Inquiries

Direct all warranty and repair requests/inquiries to the NEWPORT Customer Service Department. BEFORE RETURNING ANY PRODUCT(S) TO NEWPORT, PURCHASER MUST OBTAIN AN AUTHORIZED RETURN (AR) NUMBER FROM NEWPORT'S CUSTOMER SERVICE DEPARTMENT (IN ORDER TO AVOID PROCESSING DELAYS). The assigned AR number should then be marked on the outside of the return package and on any correspondence.

The purchaser is responsible for shipping charges, freight, insurance and proper packaging to prevent breakage in transit.

FOR **WARRANTY** RETURNS, please have the following information available BEFORE contacting NEWPORT:

1. P.O. number under which the product was PURCHASED,
2. Model and serial number of the product under warranty, and
3. Repair instructions and/or specific problems relative to the product.

FOR **NON-WARRANTY** REPAIRS, consult NEWPORT for current repair charges. Have the following information available BEFORE contacting NEWPORT:

1. P.O. number to cover the COST of the repair,
2. Model and serial number of product, and
3. Repair instructions and/or specific problems relative to the product.

NEWPORT's policy is to make running changes, not model changes, whenever an improvement is possible. This affords our customers the latest in technology and engineering.

NEWPORT is a registered trademark of NEWPORT ELECTRONICS, INC.

© Copyright 1997 NEWPORT ELECTRONICS, INC. All rights reserved. This document may not be copied, photocopied, reproduced, translated, or reduced to any electronic medium or machine-readable form, in whole or in part, without prior written consent of NEWPORT ELECTRONICS, INC.